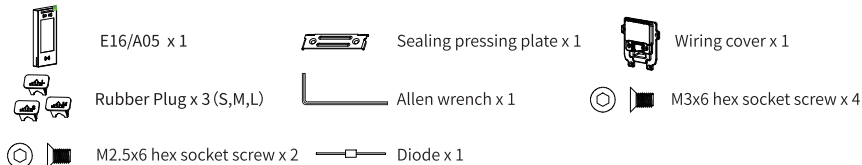


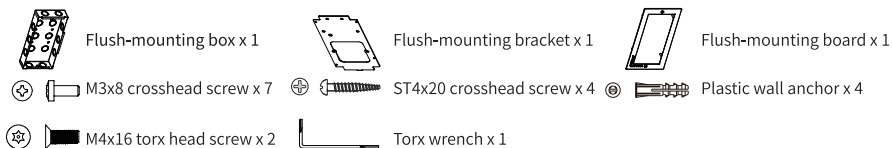
Unpacking

Before you start using the device, please check the product version, and ensure that the following items are included in the shipped box:

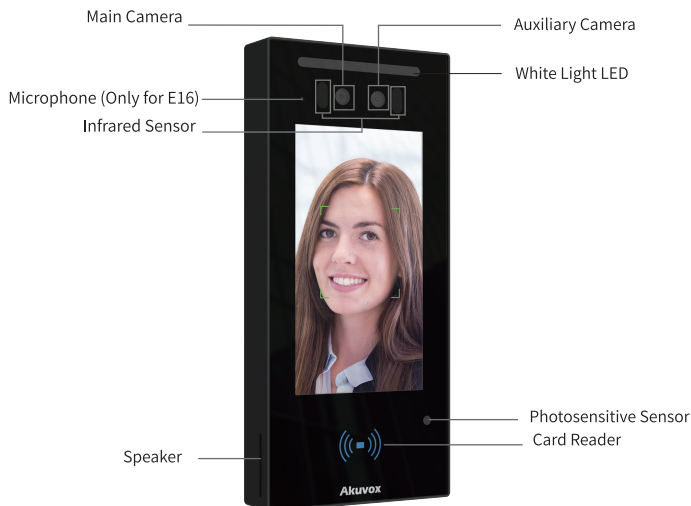
Universal Accessories:



Flush-mounting Accessories:

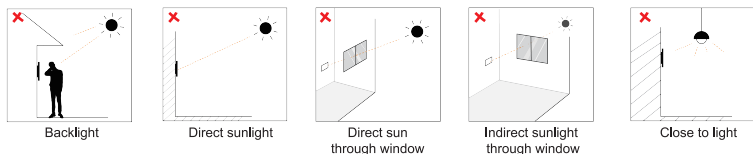


Product Overview



Installation Environment

Please do not place the device under direct sunlight, it will bring bad effects or be broken with high temperature. If installing the device indoors, please keep the device at least 2 meters away from light, and at least 3 meters away from window and door.

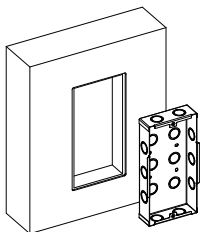


Attention:

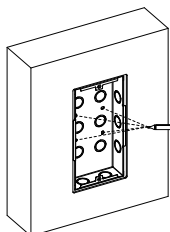
Biometric recognition product may not be considered 100% to fit in any identification application. For higher security purpose or scenario, please set up access authentication combination.

Installation

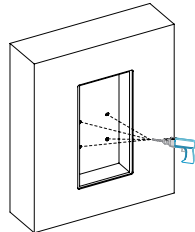
Step1: Flush-mounting Bracket Installation



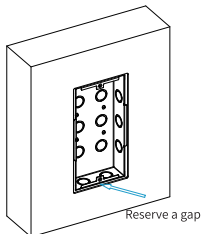
Dig out a square hole (height*width*depth=225*111*43mm) according to the position of cable.



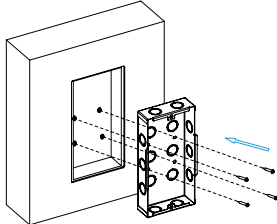
Place the flush-mounting box in the hole, and mark four positioning holes of the flush-mounting bracket on the wall. Note: The positioning holes should be marked in the center of the holes.



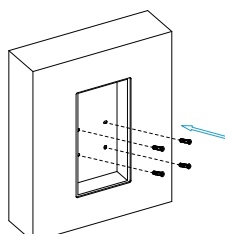
Remove the flush-mounting box, then use an electric drill with a 6mm diameter bit to make four holes with 25mm in depth in the marked holes.



Please make sure that the top edge of flush-mounting box can not over the wall, and need to reserve a gap between the bottom of the box and wall for drainage.

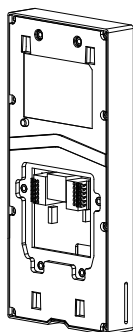


Knock off the cable holes of the flush-mounting box, and lead cables through the hole. Then fix the box with four ST4x20 crosshead screws on the wall.

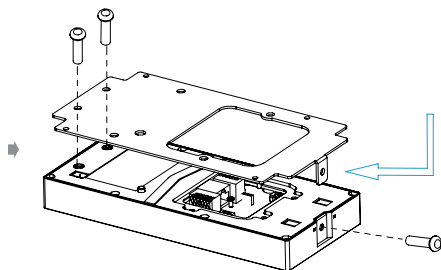


Insert four plastic wall anchors into the drilled holes.

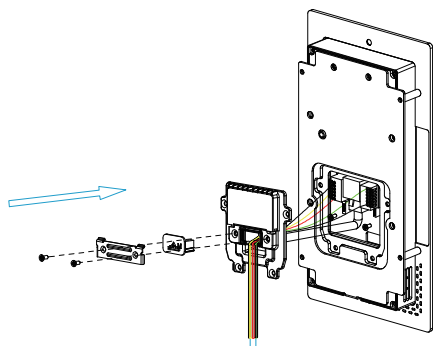
2.Step 2: Device Installation



Take out the device.

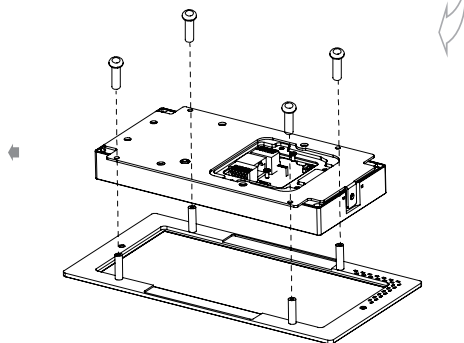


Align the screw holes of the flush-mounting bracket with holes on the back of the device (see the picture). And press up the square hook on the bottom of bracket against the groove on the bottom of the device. Then use three M3x8 crosshead screws to fasten the bracket on the device.

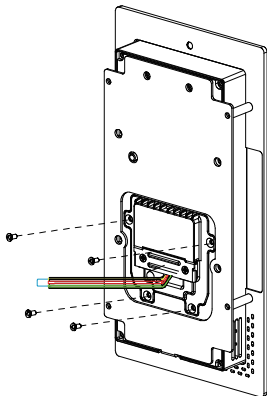


Lead the cables from the flush-mounting box through the square hole on the wiring cover, connecting them to the corresponding interface of the main board, and close the wiring cover. Then select a suitable size rubber plug to push all the cables into the wiring cover. Fix sealing pressing plate to the wiring cover with two M2.5x6 hex socket screws.

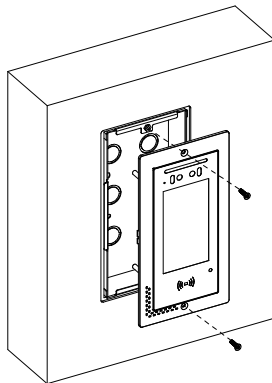
Note: If the cables are less than 6, please use S size rubber plug; if the cables are more than 6 but less than 10, please use M size rubber plug; if the cables are more than 10, please use L size rubber plug.



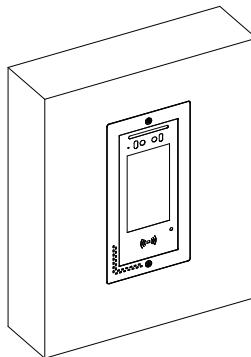
Align the screw posts of the flush-mounting board with the screw holes of flush-mounting bracket. Then fix them with four M3x8 crosshead screws.



Use four M3x6 hex socket screws to fasten the wiring cover on the device.

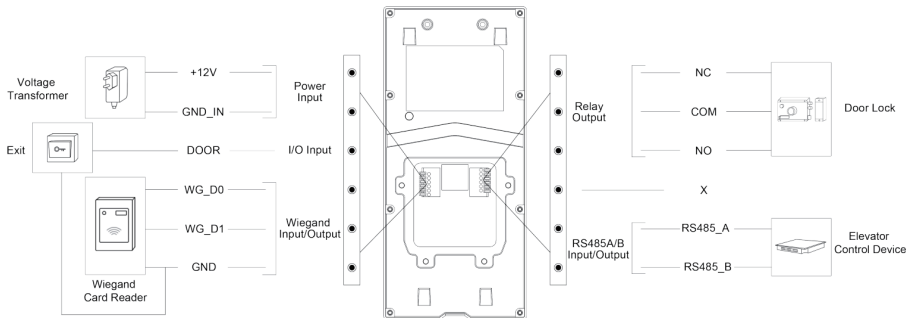


Align the holes of the flush-mounting board with the holes on the flush-mounting box (see the picture), and use two M4x16 torx head screws to fix them.



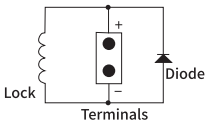
Check whether the flush-mounting board covers the gap around the flush-mounting box. And power on the device to confirm whether is normal. Then the installation is done.

Device Wiring



Warning

When you connect a device containing a coil, such as a relay or an electromagnetic lock, it is necessary to protect the intercom against voltage peak while switching off the induction load. For this way of protection we recommend a diode 1 A / 200 V (included in the accessories) connected antiparallel to the device.

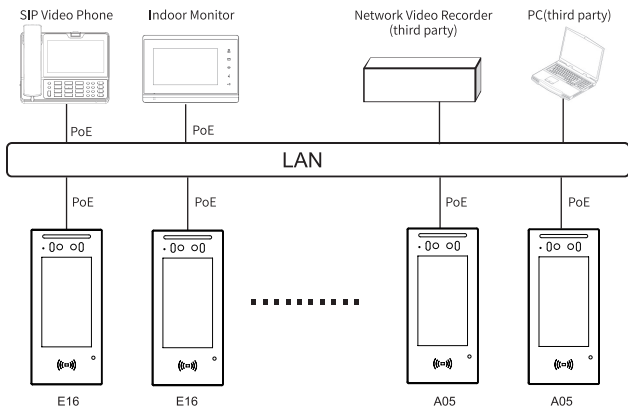


Wire Length & AWG Table

Please follow the properly measured wire gauge/length to install device:

	20 AWG	22 AWG	24 AWG	26 AWG
12V 1A Adapter	≤20m	≤10m	/	/

Application Network Topology



Configuration

- 1.IP Address Checking: Long press anywhere on the initial screen for approximately five seconds to go to project PIN screen. Then enter the default PIN “admin” and press **Confirm** tab to go to **Setting** interface. Press Info icon to check for the device IP address (for E16 series door phone only).
- 2.Account Registration: On the web interface, go to the path **Account > Basic** page to register and fill in the account information (please refer to user manual for more information).
- 3.DTMF Code Configuration: On the web interface, go the path: **Access Control > Relay** to set up the DTMF code in the corresponding area.

Operation

Make a call:

Press **Dial icon** into the dial interface, and enter the IP or SIP number and press **Dial key** to make a call (for E16 series door phone only).

Receive a call:

E16 supports Auto Answer by default. Incoming call from indoor device will be answered automatically.

Unlock by DTMF:

During the call, press the corresponding DTMF code from the answer unit to unlock E16/A05 remotely.

Unlock by RF Card

Place the predefined RF card in the card reader area to open the door.

Notice Information

Information contained in this document is believed to be accurate and reliable at the time of printing. This document is subject to change without notice, any update to this document can be viewed on Akuvox' s website: <http://www.akuvov.com> © Copyright 2022 Akuvox Ltd. All rights reserved.



AKUVOX (XIAMEN) NETWORKS CO., LTD.

Add.: 10/F, NO.56 GUANRI ROAD, SOFTWARE PARK II, XIAMEN 361009, CHINA
www.akuvov.com

